

CW-3K

DYNAMIC CHECKWEIGHER

In Line Checkweigher

CW-3K is a high-speed, high-precision checkweigher designed for food products weighing between 0.3 - 3kg. It features a durable SS304 stainless steel build and a 10-inch touch screen for easy operation. It includes automatic weighing compensation and zero tracking, as well as automatic measuring time adjustment for enhanced accuracy and efficiency. Additionally, it is equipped with continuously variable belt speed control to accommodate various operational needs.



Key Features

- The CW-3K checkweigher is suitable for products ranging in weight from 0.3g to 3kg.
- Offers weighing accuracy within $\pm 1g$.
- Features a 10-inch touch screen, capable of storing over 1 million transactions with data export via USB.
- Widely used in the food, chemical, textile, and packaging industries, as well as other production lines.

0.3-3kg
Weighing Range

$\pm 1g$
Accuracy

150 Pcs/min
Speed

Multiple Industrial Applications

- Food & Beverage
- Animal Feed
- Logistics & Warehousing
- Manufacturing
- Pharmaceuticals
- Automation & Production lines
- Chemical Industry & much more.



R&D WEIGHING
WEIGHING THE FUTURE

SPECIFICATION SHEET

CW-3K

Specifications

Model	CW-3K
Maximum Capacity	3kg
Highest Accuracy	±1g
Highest Weighing Speed	150pcs/min
Belt Speed	10-90m/min
Belt Size	400mmx300mm
Weighing Platform Height	750+100mm/-50mm (Customisable)
Roller Distance (Center)	400mm
Belt Material	PU (White)
Structure of Material	S304
Alarm Light	3-Colour Signal Light (Red, Yellow, Green)
Display Size	10-inch Colour Touch Screen
Rejector Lineup	Options: Swing Type, Push Arm, Drop Type
Power	Single Phase: AC-220V±10%, 50/60HZ, 675W
Operating Temperature	0-40°C
Humidity	90% R.H No Condensation
Limit Load	The instantaneous limit load shall not exceed 5kg.

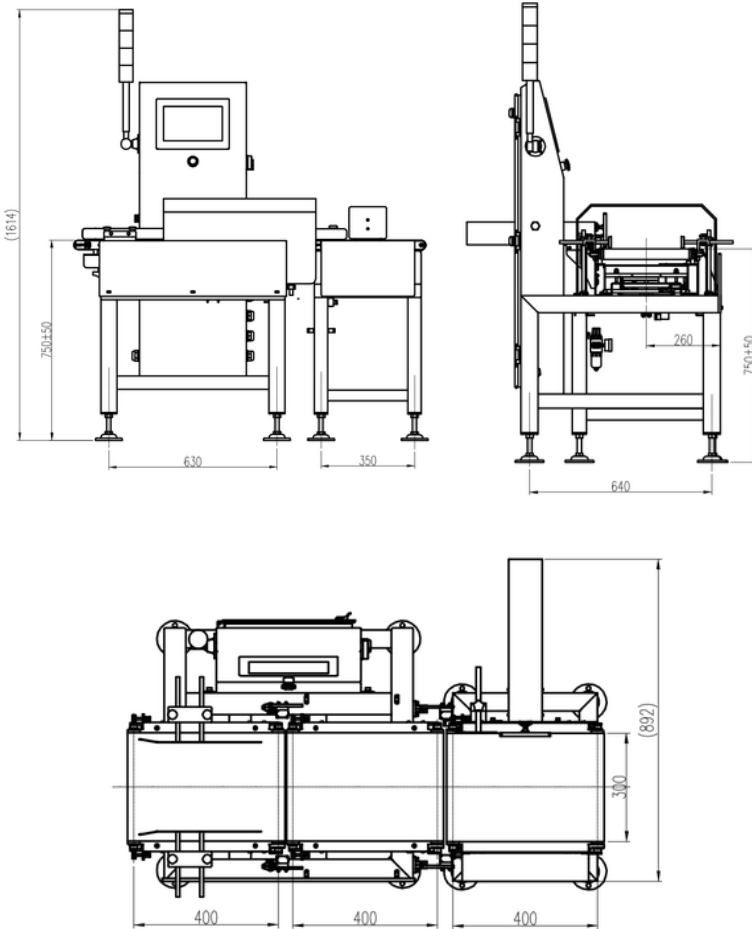


R&D WEIGHING
WEIGHING THE FUTURE

STRUCTURE & DIMENSIONS

CW-3K

Unit:mm



R&D WEIGHING
WEIGHING THE FUTURE